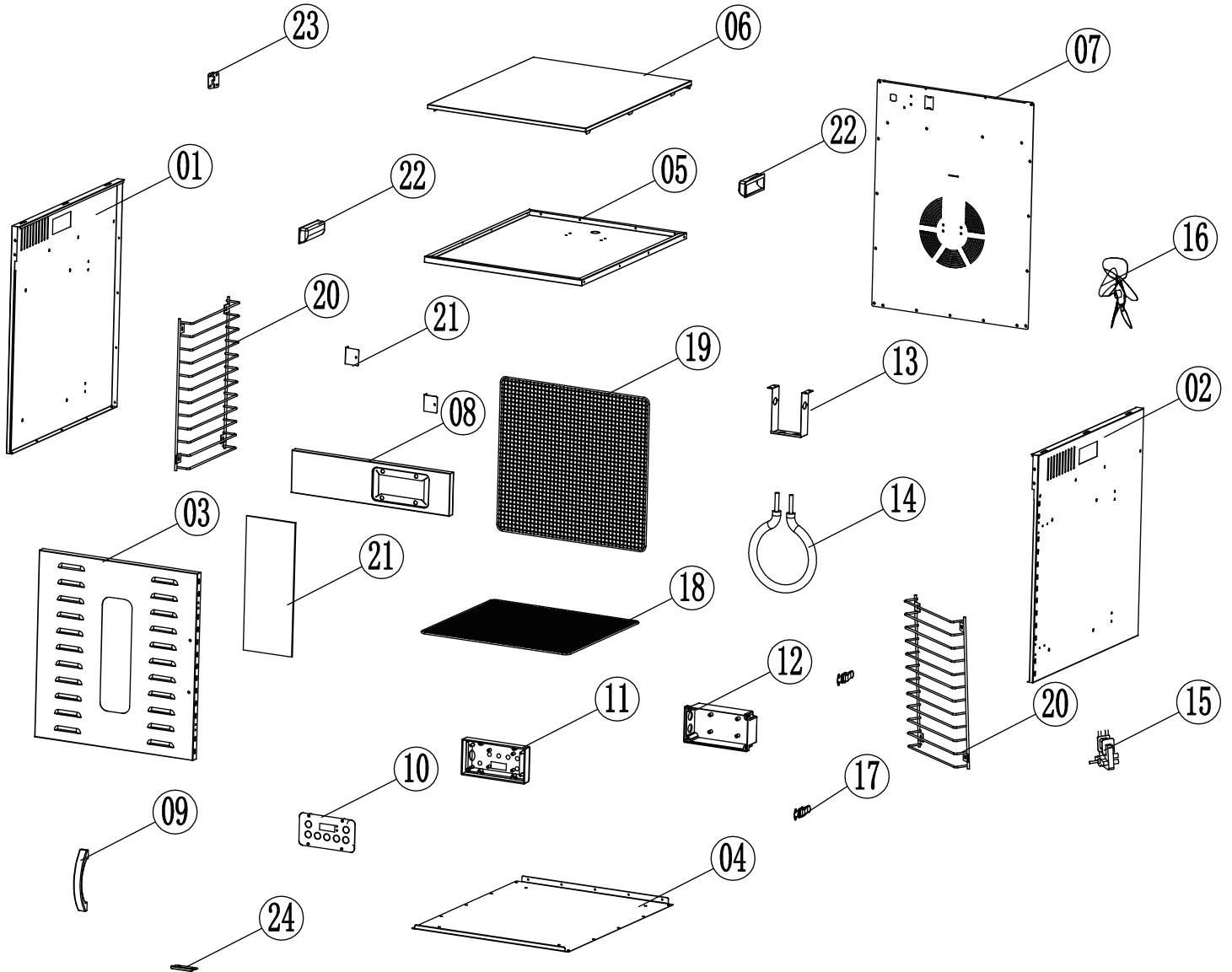


Parts Breakdown

Model CE-CN-0012-E 47446



Parts Breakdown

Model CE-CN-0012-E 47446

Item No.	Description	Position	Item No.	Description	Position	Item No.	Description	Position
AK867	Left Board for 47446	1	AK875	Door Handle for 47446	9	AK883	Push Button for 47446	17
AK868	Right Board for 47446	2	AK876	Control Panel for 47446	10	AK884	Mesh Tray for 47446	18
AK869	Door for 47446	3	AK877	Control Box for 47446	11	AK885	Separate Tray for 47446	19
AK870	Bottom Board for 47446	4	AK878	PCB Box for 47446	12	AK886	Rack for 47446	20
AK871	Separate Plate for 47446	5	AK879	Heating Pipe Holder for 47446	13	AK887	Rack Holder for 47446	21
AK872	Top Board for 47446	6	AK880	Heating Pipe for 47446	14	AK888	Plastic Handle for 47446	22
AK873	Back Board for 47446	7	AK881	Motor for 47446	15	AK889	Hinge for 47446	23
AK874	Front Board for 47446	8	AK882	Fan for 47446	16	AK890	Door Holder for 47446	24